



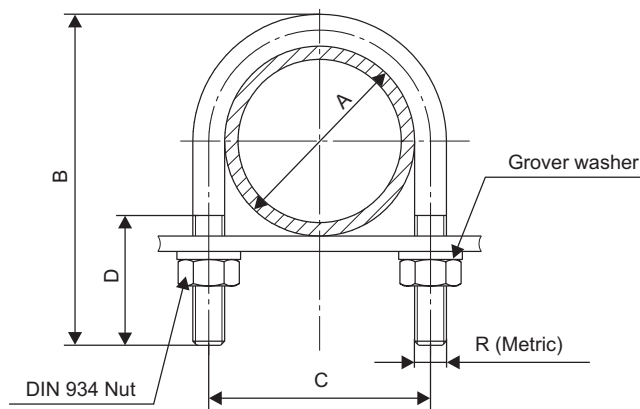
mecesa[®]

FUNDADA EN 1952

abrazaderas



PIPE CLAMPS



(*) Nominal dimension	Dimensions				
	A	B	C	D	R
1/8"	10.5	29	14.5	13	4 x 070
1/4"	14	32	20	14	6 x 100
3/8"	17.5	37	23.5	15	6 x 100
1/2"	22	42	28	17	6 x 100
3/4"	28	50	34	19	6 x 100
1"	35	62	41	24	6 x 100
1 1/4"	43	71	49	24	6 x 100
1 1/2"	49	80	57	26	8 x 125
2"	62	91	70	26	8 x 125
2 1/2"	75	117.5	85	35	10 x 150
3"	90.5	130.5	100.5	35	10 x 150
3 1/2"	104	143	114	35	10 x 150
4"	117	155	127	35	10 x 150
5"	144	186	154	40	10 x 150
6"	171	213	181	40	10 x 150
8"	222	264	232	40	10 x 150
10"	276	318	286	40	10 x 150
12"	327	378	339	50	14 x 200
14"	360	410	372	50	14 x 200
16"	410	470	422	60	14 x 200
18"	462	532	476	70	16 x 200
20"	515	585	529	70	16 x 200

- Under order they can be supplied with nut and locknut instead of grover washer.
- Materials: They are built grade 316 or 304 stainless, zincated carbon steel and special materials.

(*) OD Tubing clamps are also available.

FACTORY & HEAD OFFICE



08223 TERRASSA (BARCELONA)
 Joan Monpeó, 31 - 37
 Tel. 93 736 35 00 - 93 731 34 00
 Fax 93 783 24 62
 Apartado 1054
 E-mail: mecesa@mecesa.com
<http://www.mecesa.com>

BRANCH OFFICES

28020 MADRID
 Comandante Zorita, 51
 Tel. 91 554 96 95 - 91 553 05 55
 Fax 91 533 96 28

21007 HUELVA
 Políg. Industrial Polirrosa,
 Calle "A" Nave 19
 Tel. 959 23 04 95 - 959 27 20 25
 Fax 959 23 04 95

43006 TARRAGONA
 Políg. Industrial Riu Clar
 C/ Sofre Nº11, nave 5A
 Tel. 977 20 67 00
 Fax 977 20 67 02

48640 BERANGO (VIZCAYA)
 Lehendakari Aguirre, 6 - 2°C
 Tel. 94 668 15 80
 Fax 94 668 25 12

DISTRIBUTIONS

46009 VALENCIA (QUILINOX)
11680 ALGECIRAS (C. PASTOR)
35118 GRAN CANARIAS (TECNOCOMMERZ EUROPA, S.L.)
30353 CARTAGENA (HIDRAULICAS CARTHAGO, S.L.)

REPRESENTATIVES

33391 GIJON (ASTURIAS) (CAUDAL ASTUR)
15166 LA CORUÑA (ELTISA, S.L.)