



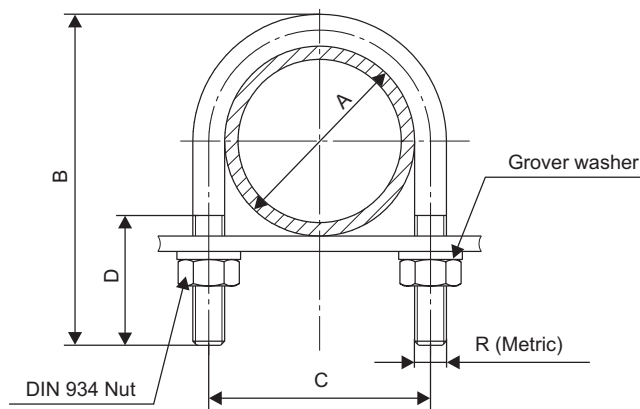
**mecesa**<sup>®</sup>

FUNDADA EN 1952

# abrazaderas



**PIPE CLAMPS**



(*) Nominal dimension	Dimensions				
	A	B	C	D	R
1/8"	10.5	29	14.5	13	4 x 070
1/4"	14	32	20	14	6 x 100
3/8"	17.5	37	23.5	15	6 x 100
1/2"	22	42	28	17	6 x 100
3/4"	28	50	34	19	6 x 100
1"	35	62	41	24	6 x 100
1 1/4"	43	71	49	24	6 x 100
1 1/2"	49	80	57	26	8 x 125
2"	62	91	70	26	8 x 125
2 1/2"	75	117.5	85	35	10 x 150
3"	90.5	130.5	100.5	35	10 x 150
3 1/2"	104	143	114	35	10 x 150
4"	117	155	127	35	10 x 150
5"	144	186	154	40	10 x 150
6"	171	213	181	40	10 x 150
8"	222	264	232	40	10 x 150
10"	276	318	286	40	10 x 150
12"	327	378	339	50	14 x 200
14"	360	410	372	50	14 x 200
16"	410	470	422	60	14 x 200
18"	462	532	476	70	16 x 200
20"	515	585	529	70	16 x 200

- Under order they can be supplied with nut and locknut instead of grover washer.
- Materials: They are built grade 316 or 304 stainless, zincated carbon steel and special materials.

(\*) OD Tubing clamps are also available.

#### FACTORY & HEAD OFFICE



**08223 TERRASSA (BARCELONA)**  
 Joan Monpeó, 31 - 37  
 Tel. 93 736 35 00 - 93 731 34 00  
 Fax 93 783 24 62  
 Apartado 1054  
 E-mail: [mecesa@mecesa.com](mailto:mecesa@mecesa.com)  
<http://www.mecesa.com>

#### BRANCH OFFICES

**28020 MADRID**  
 Comandante Zorita, 51  
 Tel. 91 554 96 95 - 91 553 05 55  
 Fax 91 533 96 28

**21007 HUELVA**  
 Políg. Industrial Polirrosa,  
 Calle "A" Nave 19  
 Tel. 959 23 04 95 - 959 27 20 25  
 Fax 959 23 04 95

**43006 TARRAGONA**  
 Políg. Industrial Riu Clar  
 C/ Sofre Nº11, nave 5A  
 Tel. 977 20 67 00  
 Fax 977 20 67 02

**48640 BERANGO (VIZCAYA)**  
 Lehendakari Aguirre, 6 - 2°C  
 Tel. 94 668 15 80  
 Fax 94 668 25 12

#### DISTRIBUTIONS

**46009 VALENCIA (QUILINOX)**  
**11680 ALGECIRAS (C. PASTOR)**  
**35118 GRAN CANARIAS (TECNOCOMMERZ EUROPA, S.L.)**  
**30353 CARTAGENA (HIDRAULICAS CARTHAGO, S.L.)**

#### REPRESENTATIVES

**33391 GIJON (ASTURIAS) (CAUDAL ASTUR)**  
**15166 LA CORUÑA (ELTISA, S.L.)**