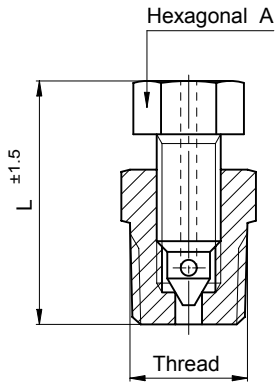
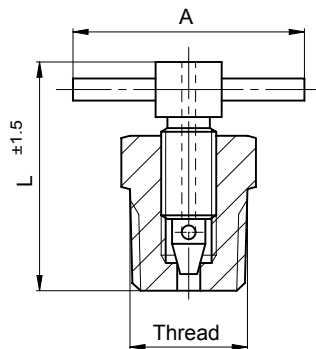


Maximum service pressure
 Stainless steel and carbon steel 400 Bar
 Brass 200 Bar

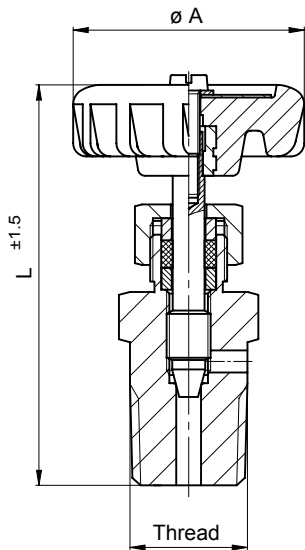
Connections: NPT (ANSI/ASME B1.20.1) and ISO 7 R



DRAIN PLUG WITH HEXAGONAL HEAD BOLT								
CONNE	SIZES		REF. NPT THREAD			REF. ISO 7R THREAD		
	A	L	S.S.	C.S.	BRASS	S.S.	C.S.	BRASS
1/8"	8	22	STN1	ATN1	LTN1	GSTN1	GATN1	GLTN1
1/4"	10	28	STN2	ATN2	LTN2	GSTN2	GATN2	GLTN2
1/2"	12	41	STN4	ATN4	LTN4	GSTN4	GATN4	GLTN4

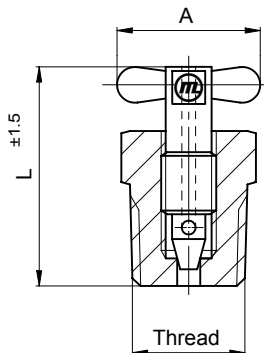


DRAIN PLUG WITH COTTER PIN								
CONNE	SIZES		REF. NPT THREAD			REF. ISO 7R THREAD		
	A	L	S.S.	C.S.	BRASS	S.S.	C.S.	BRASS
1/8"	32	26	STM1	ATM1	LTM1	GSTM1	GATM1	GLTM1
1/4"	32	32	STM2	ATM2	LTM2	GSTM2	GATM2	GLTM2
3/8"	32	32	STM3	ATM3	LTM3	GSTM3	GATM3	GLTM3
1/2"	42	41	STM4	ATM4	LTM4	GSTM4	GATM4	GLTM4



DRAIN PLUG WITH HANDWHEEL								
CONNE	SIZES		REF. NPT THREAD			REF. ISO 7R THREAD		
	A	L	S.S.	C.S.	BRASS	S.S.	C.S.	BRASS
1/4"	35	65	STV2	ATV2	LTV2	GSTV2	GATV2	GLTV2
1/2"	35	70	STV4	ATV4	LTV4	GSTV4	GATV4	GLTV4

PTFE packing (Under order also available in Graphite).



DRAIN PLUG WITH CLASP					
CONNE	ORIFICE	SIZES		REF. NPT THREAD	REF. ISO 7R THREAD
		A	L	BRASS	BRASS
1/8"	2.5	26	20	PU1/3	GPU1/3
1/8"	5	26	38.5	LTP1	GLTP1
1/4"	5	26	42	LTP2	GLTP2

CAT.	Rev.	Date	Description	Prepared	Checked
4		21-01-2015	3/8" vent plug pin is added		
0		23-06-1987	Published		