

REFERENCES

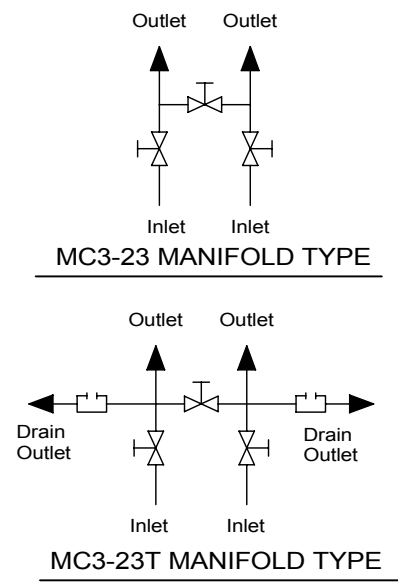
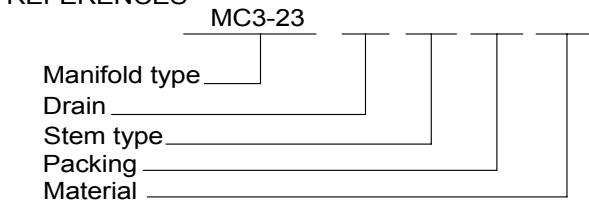


TABLE FOR IDENTIFICATION OF REFERENCES IN STANDARD MANUFACTURING MANIFOLDS							
DRAIN	ID	STEM	ID	PACKING	ID	BODY MATERIAL	ID
Drain	T	Ball	-	PTFE (Standard)	-	316 Stainless	1
Without drain	-	Vee	P	Graphite	G	Carbon steel	2

Direct mounting manifold to the transmitter inlets F NPT1/2" in the same manifold body. It is mounted to the transmitter by 4 screws of 7/16"UNF (L=25) and two joints of PTFE or Graphite  
 Screw 7/16"UNF Ref. 40943504 for STAINLESS STEEL manifold.  
 Screw 7/16"UNF Ref. 40943502 for CARBON STEEL manifold.  
 Joint of PTFE Ref. 03205530 for manifold in PTFE packing.  
 Graphite joints Ref. 03205516 for manifold in GRAPHITE packing.  
 These screws and joints are supplied together with the manifold Coupling (DIN 19213)  
 Joints dimensions (MSS SP-99)  
 See support for remote mounting according to technical sheet 16098  
 Standard manufacture materials. See technical sheet 15755  
 Special manufacture materials. See technical sheet 16183

CAT.	3	23-02-2016	1975		
	0	13-02-2001	Published		
	Rev.	Date	Description	Prepared	Checked