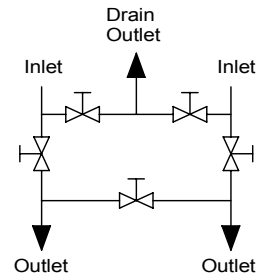
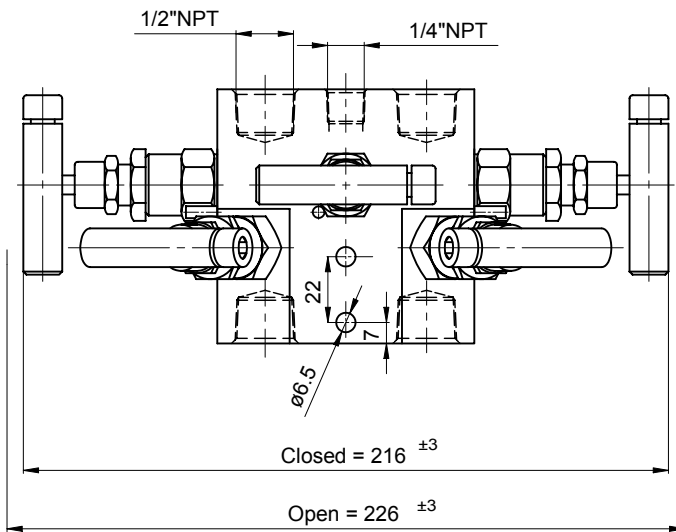


MC-25V MANIFOLD TYPE



MC-25VE MANIFOLD TYPE

REFERENCES

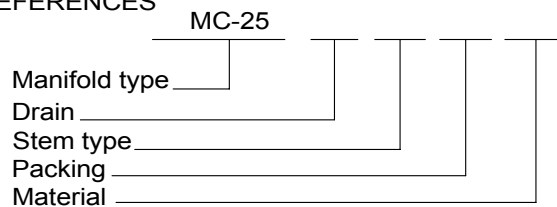


TABLE FOR IDENTIFICATION OF REFERENCES IN STANDARD MANUFACTURING MANIFOLDS							
DRAIN	ID	STEM	ID	PACKING	ID	BODY MATERIAL	ID
Inlet drain	VE	Ball	-	PTFE (Standard)	-	316 Stainless	1
Outlet drain	V	Vee	P	Graphite	G	Carbon steel	2

It is composed by a valve for high line and other one for the line of low pressure, one valve of "BY-PASS" between the lines of high and low pressure in order to put the instrument at 0 and two draining valves with only one outlet of F1/4"NPT. See support for remote mounting according to technical sheet 15993

Standard manufacture materials. See technical sheet 15755
Special manufacture materials. See technical sheet 16183

CAT.	2	23-02-2016	1975		
	0	13-02-2001	Published		
	Rev.	Date	Description	Prepared	Checked