

CONNECTION		ORIFICE	SIZES						REFERENCES	
INLET	OUTLET		A	B	D	L	M	P	THREAD NPT	THREAD ISO 7
H1/8"	H1/8"	3.5	48.5	44	-	34	39.5	35	051H3	G051H3
H1/4"	H1/4"	4	53	49	14 (2)	44	49.5	45.5	052H3	G052H3
H3/8"	H3/8"	4	53	49	14 (2)	52	49.5	45.5	053H3	G053H3
H1/2"	H1/2"	4	53	49	14 (2)	58	49.5	45.5	054H3	G054H3
M1/8"	M1/8"	3.5	48.5	44	-	34	39.5	35	051M3	G051M3
M1/4"	M1/4"	4	53	49	-	44	49.5	45.5	052M3	G052M3
M3/8"	M3/8"	4	53	49	-	42.8	49.5	45.5	053M3	G053M3
M1/2"	M1/2"	4	53	49	-	58	49.5	45.5	054M3	G054M3
M1/8"	H1/8"	3.5	48.5	44	-	34	39.5	35	051V3	G051V3
M1/4"	H1/4"	4	53	49	-	44	49.5	45.5	052V3	G052V3
M3/8"	H3/8"	4	53	49	-	52	49.5	45.5	053V3	G053V3
M1/8"	6 O.D. (C)	3.5	48.5	44	-	34	39.5	35	051M06C3	G051M06C3
M1/4"	6 O.D. (C)	4	53	49	14 (2)	44	49.5	45.5	052M06C3	G052M06C3
M1/4"	8 O.D. (C)	4	53	49	14 (2)	44	49.5	45.5	052M08C3	G052M08C3
M3/8"	10 O.D. (C)	4	53	49	-	43.5	49.5	45.5	053M10C3	G053M10C3
M1/8"	6 O.D. (K)	3.5	48.5	44	-	34.5	39.5	35	051M06K3	G051M06K3
M1/4"	6 O.D. (K)	4	53	49	14 (2)	44	49.5	45.5	052M06K3	G052M06K3
M1/4"	8 O.D. (K)	4	53	49	14 (2)	44	49.5	45.5	052M08K3	G052M08K3
M3/8"	10 O.D. (K)	4	53	49	-	43.5	49.5	45.5	053M10K3	G053M10K3

Note.-

2) On special order we can supply stop-cooks suitable for panel mounting and in this case the letter "J" should be added to the reference example: 052HJ3

3) For connection to tube by compression ferrules see sheet 15148 B

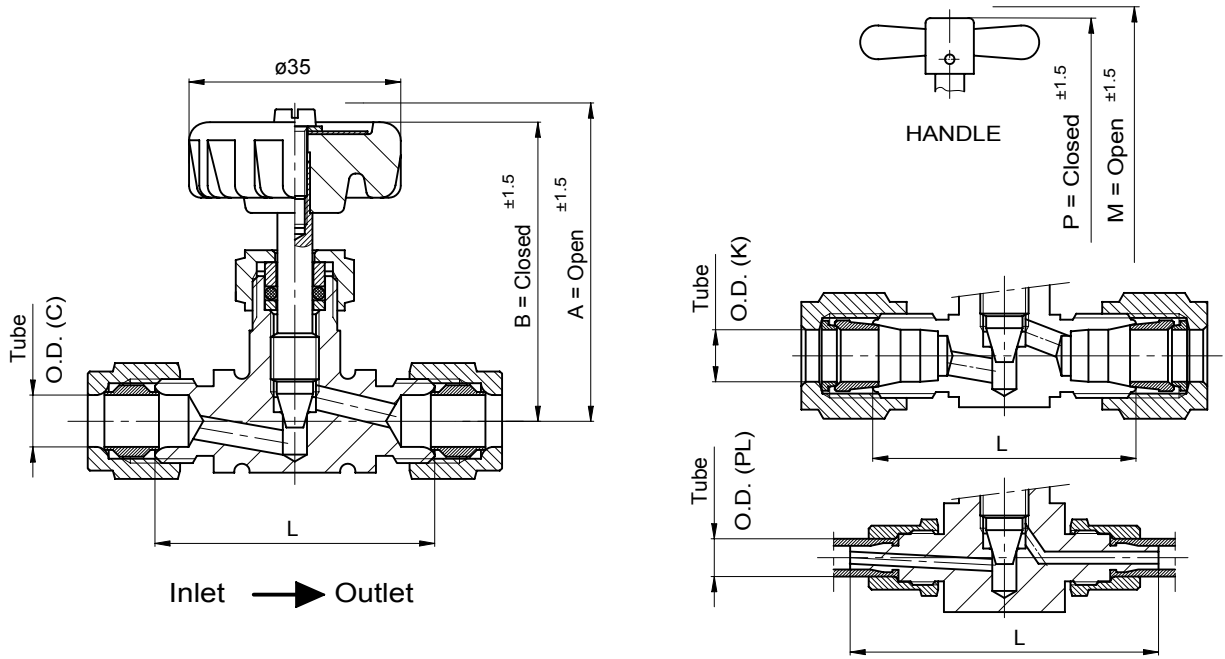
CHARACTERISTICS
1) RATING:

360 PSI to 100°F Maximum
Maximum service temperature of 176°F

Connections: NPT (ANSI/ASME B1.20.1), ISO 7-Rp, MEGALOK (K) compression tube ends and MEGARAC (C) Brand of MECESA fittings.

Materials: Body, stem, washer and nut in BRASS.
Handwheel of POLIAMIDA 6, in black color (Under order they can be supplied with BRASS handle).
PERBUNAN N O-ring.

CAT.	9	21-02-2001	1493		
	0	30-01-1984	Published		
	Rev.	Date	Description	Prepared	Checked



mece STOP-COOKS		TUBE x TUBE					MEGARAC®		
CONNECTION		ORIFICE	SIZES					REFERENCES	
INLET	OUTLET		A	B	L	M	P		
6 O.D. (C)	6 O.D. (C)	3.5	48.5	44	34	39.5	35	0506C3	
1/4"O.D. (C)	1/4"O.D. (C)	3.5	48.5	44	34	39.5	35	0507C3	
8 O.D. (C)	8 O.D. (C)	3.5	48.5	44	35	39.5	35	0508C3	
3/8"O.D. (C)	3/8"O.D. (C)	4	53	49	44	49.5	45.5	0509C3	
10 O.D. (C)	10 O.D. (C)	4	53	49	44	49.5	45.5	0510C3	
12 O.D. (C)	12 O.D. (C)	4	53	49	52	49.5	45.5	0512C3	
1/2"O.D. (C)	1/2"O.D. (C)	4	53	49	52	49.5	45.5	0513C3	
mece STOP-COOKS		TUBE x TUBE					MEGALOK™		
6 O.D. (K)	6 O.D. (K)	3.5	48.5	44	35	39.5	35	0506K3	
1/4"O.D. (K)	1/4"O.D. (K)	3.5	48.5	44	35	39.5	35	0507K3	
8 O.D. (K)	8 O.D. (K)	3.5	48.5	44	35	39.5	35	0508K3	
3/8"O.D. (K)	3/8"O.D. (K)	4	53	49	44	49.5	45.5	0509K3	
10 O.D. (K)	10 O.D. (K)	4	53	49	44	49.5	45.5	0510K3	
12 O.D. (K)	12 O.D. (K)	4	53	49	52	49.5	45.5	0512K3	
1/2"O.D. (K)	1/2"O.D. (K)	4	53	49	52	49.5	45.5	0513K3	
mece STOP-COOKS		TUBE x TUBE					MECEPLAST®		
(2) (3)	4/6 PL	4/6 PL	4	53	49	51	49.5	45.5	0506T3
(2) (3)	6/8 PL	6/8 PL	4	53	49	51	49.5	45.5	0508T3

CHARACTERISTICS

Note.-

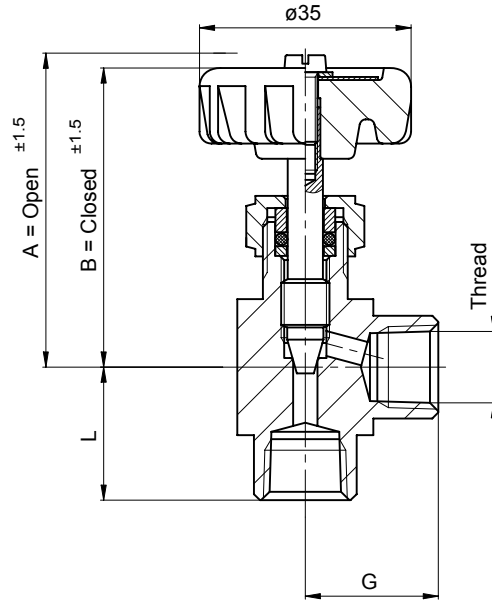
- 2) The body of the stop - cooks M.3 has screwed holes in the affixing base.
- 3) Due to the restriction of the connections of the stop - cooks, the orifice in inferior to the indicated.
- 4) For connetions, male, female and mixed see sheet -15148 A

1) RATING:

360 PSI to 100°F Maximum
Maximum service temperature of 176°F

Connections: MEGALOK (K) compression tube ends, MEGARAC (C) and MECEPLAST (PL).
Brand of MECESA fittings.
Materials: Body, stem, washer and nut in BRASS.
Handwheel of POLIAMIDA 6, in black color (Under order they can be supplied with BRASS handle).
PERBUNAN N O-ring.

CAT.						
	0	21-02-2001	Published			
	Rev.	Date	Description		Prepared	Checked



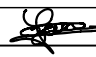

CONNEC.	ORIFICE	SIZES						REFERENCES	
		A	B	G		L		THREAD NPT	THREAD ISO 7Rp
				NPT	ISO 7	NPT	ISO 7		
1/4"	4	54	49	22	26	22	26	532H3	G532H3
3/8"	4	56.5	51.5	22	26	22	26	533H3	G533H3
1/2"	4	56.5	51.5	29	29	29	29	534H3	G534H3

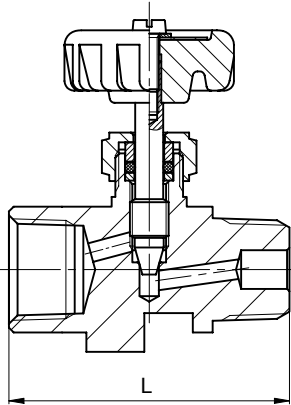
CHARACTERISTICS

1) RATING:

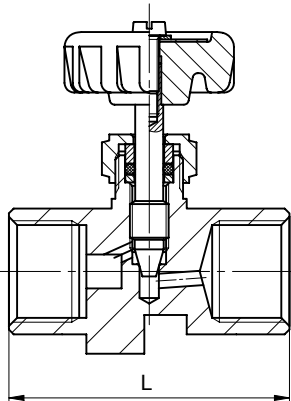
360 PSI to 100°F Maximum
 Maximum service temperature of 176°F

Connections: NPT (ANSI/ASME B1.20.1) and ISO 7-Rp
 Materials: Body, stem, washer and nut in BRASS.
 Handwheel of POLIAMIDA 6, in black color (Under order they can
 be supplied with BRASS handle).
 PERBUNAN N O-ring.

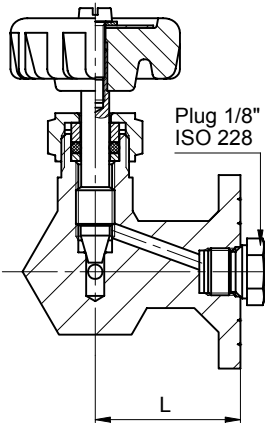
CAT.	Rev.	Date	Description	Prepared	Checked
	0	21-02-2001	Published		
	Rev.	Date	Description	Prepared	Checked



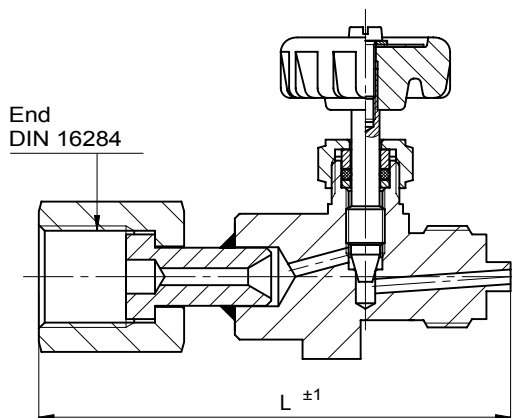
Type B



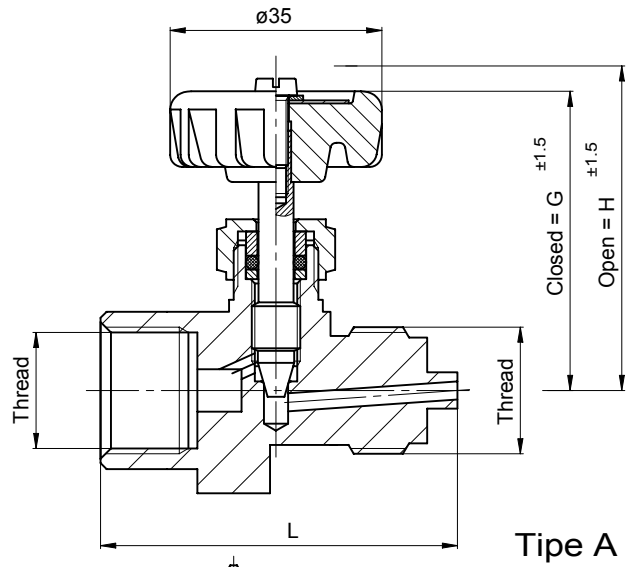
Type C



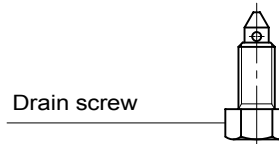
Type D



Type E



Type A



Drain screw

Outlet ← Inlet

TYPE	CONNECTIONS	ORIFICE Ø	SIZES			REFERENCES	
			G	H	L	WITHOUT DRAIN	WITH DRAIN
A	Thread 1/4" ISO 228	4	49.5	53.5	50.5	C252V3	C252VE3
	Thread 1/2" ISO 228				59	C254V3	C254VE3
B	Thread 1/2" NPT		50	54	58	254V3	254VE3
C	Thread 1/2" ISO 7Rp x ISO 228				58	C254H3	C254HE3
D	Thread 1/2" ISO 228				30	C254VB3	C254VE3
E	Thread 1/2" ISO 228		97.5	C254VF3	C254VE3		

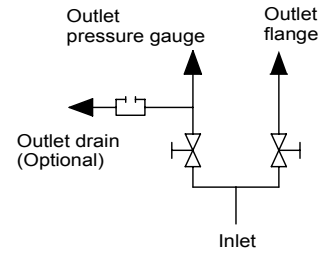
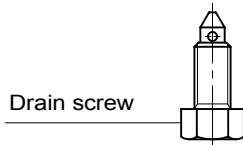
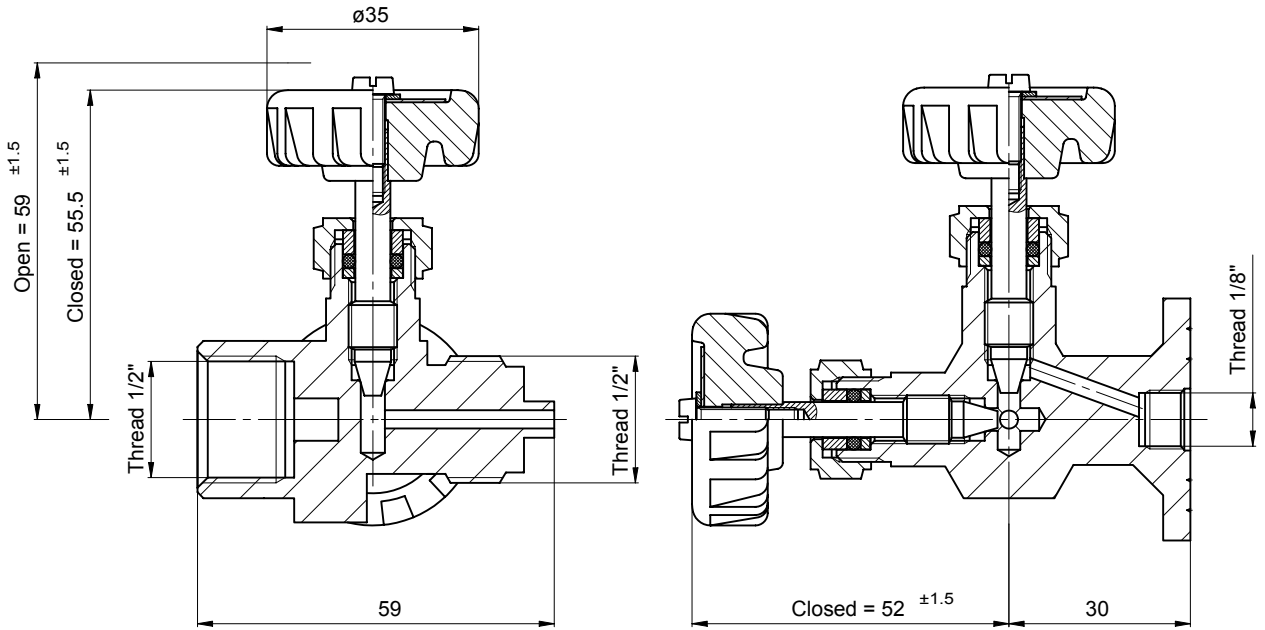
CHARACTERISTICS

1) RATING:

360 PSI to 100°F Maximum
Maximum service temperature of 176°F

Connections: NPT (ANSI/ASME B1.20.1), ISO 7Rp and ISO 228
Materials: Body, stem, washer and nut in BRASS.
Handwheel of POLIAMIDA 6, in black color (Under order they can be supplied with BRASS handle).
PERBUNAN N O-ring.

CAT.	1	02-06-2011	1868		
	0	21-02-2001	Published		
	Rev.	Date	Description	Prepared	Checked



CONNECTION	ORIFICE	REFERENCES	
		WITHOUT DRAIN	WITH DRAIN
Thread ISO 228	4	C084VB3	C084VBE3

CHARACTERISTICS

1) RATING:

360 PSI to 100°F Maximum
Maximum service temperature of 176°F

Connection: ISO 228
Materials: Body, stem, washer and nut in BRASS.
Handwheel of POLIAMIDA 6, in black color (Under order they can be supplied with BRASS handle).
PERBUNAN N O-ring.

CAT.						
	0	21-02-2001	Published			
	Rev.	Date	Description	Prepared	Checked	