

VALVES WITHOUT DRAIN	TIPE	CONNECTIONS	ORIFICE	PTFE PACKING REFERENCES			GRAPHITE PACKING REFERENCES		
				S. STEEL	C. STEEL	BRASS	S. STEEL	C. STEEL	BRASS
	A	THREAD NPT	4	144V1	144V2	144V3	144VG1	144VG2	144VG3
	B	THREAD ISO 228	4	C144V1	C144V2	C144V3	C144VG1	C144VG2	C144VG3
	C	THREAD ISO 228	4	C144VB1	C144VB2	C144VB3	C144VBG1	C144VBG2	C144VBG3
	D	THREAD ISO 228	4	C144MF1	C144MF2	C144MF3	C144MFG1	C144MFG2	C144MFG3
	E	THREAD ISO 228	4	C144VY1	C144VY2	C144VY3	C144VYG1	C144VYG2	C144VYG3
VALVES WITH DRAIN	A	THREAD NPT	4	144VE1	144VE2	144VE3	144VEG1	144VEG2	144VEG3
	B	THREAD ISO 228	4	C144VE1	C144VE2	C144VE3	C144VEG1	C144VEG2	C144VEG3
	C	THREAD ISO 228	4	C144VBE1	C144VBE2	C144VBE3	C144VBEG1	C144VBEG2	C144VBEG3
	D	THREAD ISO 228	4	C144MFE1	C144MFE2	C144MFE3	C144MFEG1	C144MFEG2	C144MFEG3
	E	THREAD ISO 228	4	C144VYE1	C144VYE2	C144VYE3	C144VYEG1	C144VYEG2	C144VYEG3

CHARACTERISTICS

2) RATING:

STAINLESS STEEL Graphite packing
5000 PSI from -20°F to 100°F
3053 PSI to 662°F Maximum

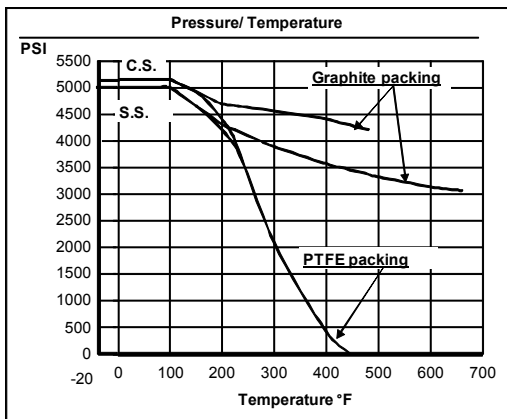
STAINLESS STEEL PTFE packing
5000 PSI from -20°F to 100°F
Maximum service temperature of PTFE 446°F

CARBON STEEL Graphite packing
5140 PSI from -20°F to 100°F
4200 PSI to 482°F Maximum

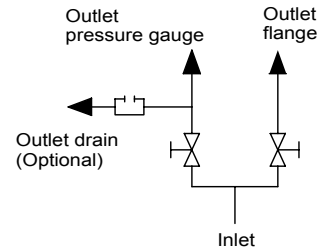
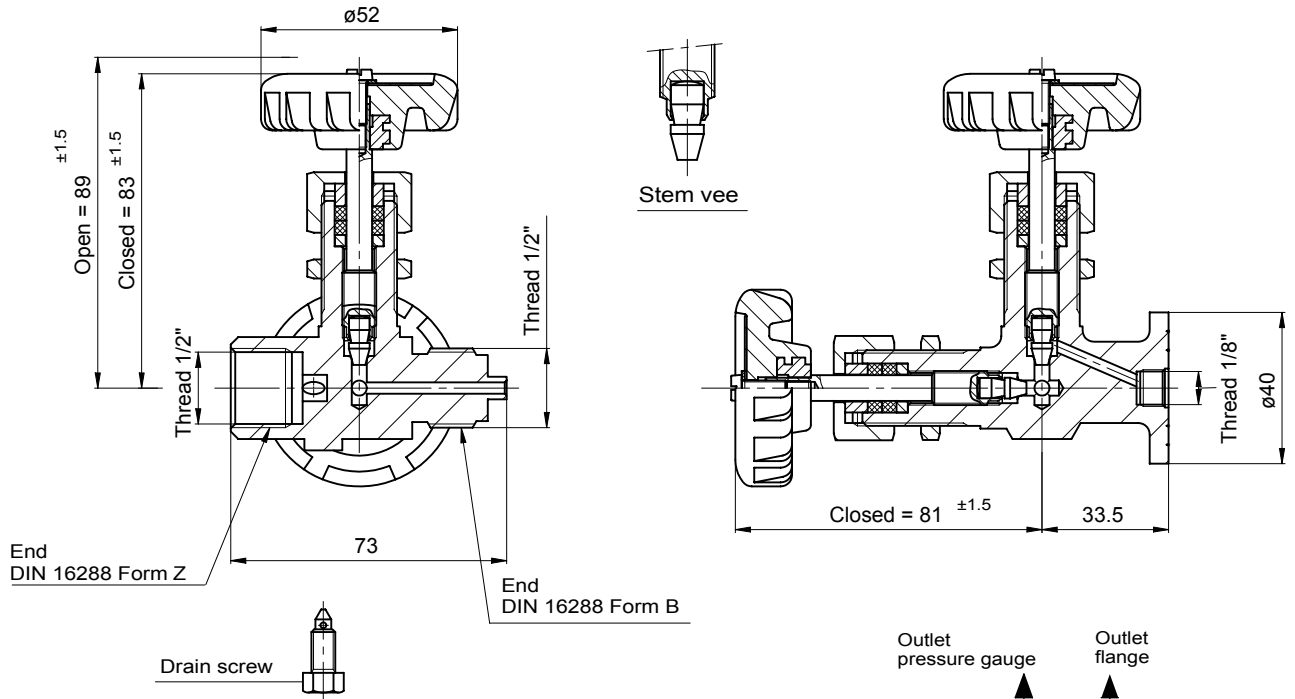
CARBON STEEL PTFE packing
5140 PSI from -20°F to 100°F
Maximum service temperature of PTFE 446°F

BRASS Grafoil and PTFE packing
Maximum 2500 PSI to 100°F
Maximum service temperature 402°F

Connections: NPT (ANSI/ASME B1.20.1) and ISO 228
Manufacture materials STAINLESS STEEL Grade 316,
CARBON STEEL and BRASS.
Forged body in the three materials.
Stem of STAINLESS STEEL Grade 316 in all the versions.
Handwheel of POLIAMIDA 6
All types can be supplied with drain screw.
Valves suitable for assembling on panel.



CAT.	7	15-05-2005	1710		
	0	24-10-1988	Published		
	Rev.	Date	Description	Prepared	Checked



VALVES WITHOUT DRAIN					
CONNECTIONS	ORIFICE	PTFE PACKING REF.		GRAPHITE PACKING REF.	
		S. STEEL	C. STEEL	S. STEEL	C. STEEL
THREAD ISO 228	4	C194VB1	C194VB2	C194VBG1	C194VBG2
VALVES WITH DRAIN					
THREAD ISO 228	4	C194VBE1	C194VBE2	C194VBEG1	C194VBEG2

CHARACTERISTICS

2) RATING:

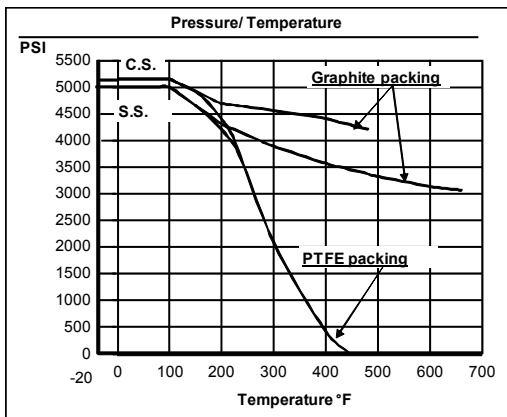
STAINLESS STEEL Graphite packing
5000 PSI from -20°F to 100°F
3053 PSI to 662°F Maximum

STAINLESS STEEL PTFE packing
5000 PSI from -20°F to 100°F
Maximum service temperature of PTFE 446°F

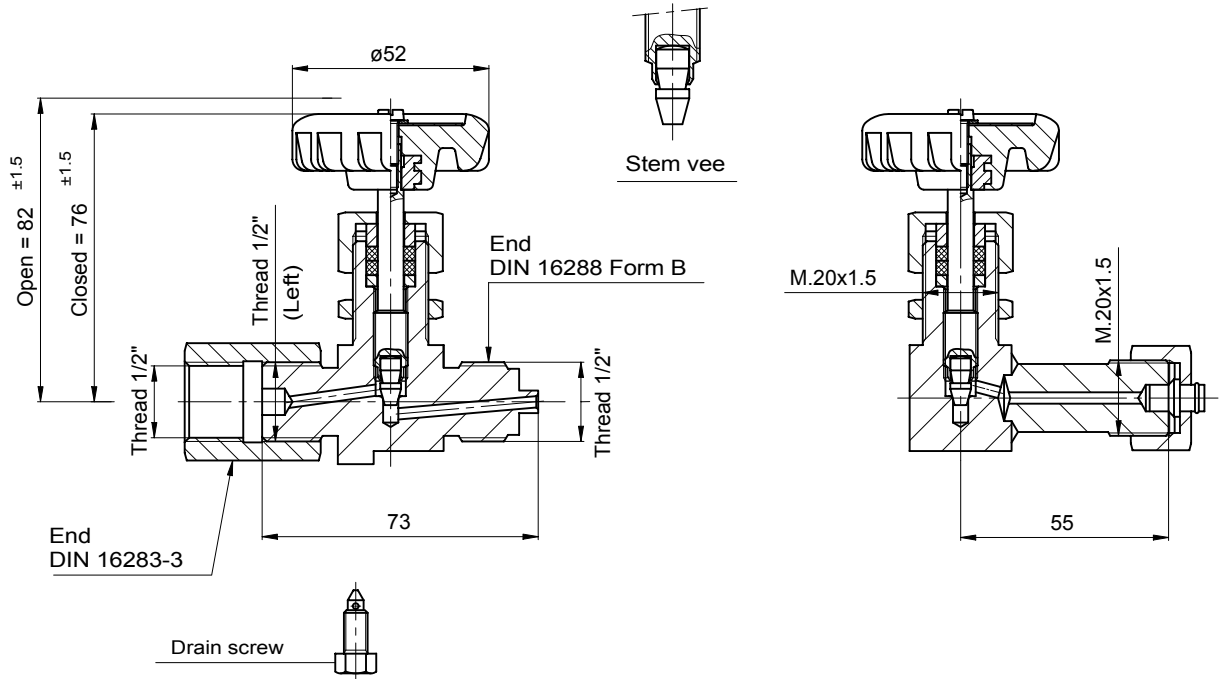
CARBON STEEL Graphite packing
5140 PSI from -20°F to 100°F
4200 PSI to 482°F Maximum

CARBON STEEL PTFE packing
5140 PSI from -20°F to 100°F
Maximum service temperature of PTFE 446°F

Connections: ISO 228
Manufacture materials STAINLESS STEEL Grade 316 and CARBON STEEL.
Forged body in the two materials.
Stem of STAINLESS STEEL Grade 316 in all the versions.
Handwheel of POLIAMIDA 6
All types can be supplied with drain screw.



CAT.	1	15-06-2005	1710		
	0	21-02-2001	Published		
	Rev.	Date	Description	Prepared	Checked



VALVES WITHOUT DRAIN							
CONNECTIONS	ORIFICE	PTFE PACKING REFERENCES			GRAPHITE PACKING REFERENCES		
		S. STEEL	C. STEEL	BRASS	S. STEEL	C. STEEL	BRASS
THREAD ISO 228	4	C184VY1	C184VY2	C184VY3	C184VYG1	C184VYG2	C184VYG3
VALVES WITH DRAIN							
THREAD ISO 228	4	C184VYE1	C184VYE2	C184VYE3	C184VYEG1	C184VYEG2	C184VYEG3

CHARACTERISTICS

2) RATING:

STAINLESS STEEL Graphite packing
 5000 PSI from -20°F to 100°F
 3053 PSI to 662°F Maximum

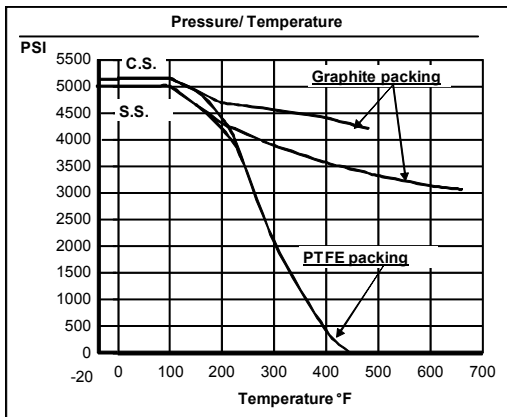
STAINLESS STEEL PTFE packing
 5000 PSI from -20°F to 100°F
 Maximum service temperature of PTFE 446°F

CARBON STEEL Graphite packing
 5140 PSI from -20°F to 100°F
 4200 PSI to 482°F Maximum

CARBON STEEL PTFE packing
 5140 PSI from -20°F to 100°F
 Maximum service temperature of PTFE 446°F

BRASS Graphite and PTFE packing
 Maximum 2500 PSI to 100°F
 Maximum service temperature 402°F

Connections: ISO 228
 Manufacture materials STAINLESS STEEL Grade 316,
 CARBON STEEL and BRASS.
 Forged body in the three materials.
 Stem of STAINLESS STEEL Grade 316 in all the versions.
 Handwheel of POLIAMIDA 6
 All types can be supplied with drain screw.
 Valves suitable for assembling on panel.



CAT.	1	16-06-2005	1710		
	0	22-02-2001	Published		
	Rev.	Date	Description	Prepared	Checked